



NMEA 2000 Connection to SLC One-Touch LED Control



SLC-NMEA
w/SR-3 cable



SLC-11 not included

The SLC-NMEA adapter connects to any new or existing SLC-11 One-Touch LED control to allow for communication through a NMEA 2000 backbone with compatible MFD displays with trim tab indicators.



Displays trim tab positions on multifunction display

FEATURES

- SLC-NMEA adapter connects to all new or existing SLC-11 One-Touch LED controls
- SLC-NMEA adapter includes an SR-3 (3 foot, 1m) cable to connect to SLC-11
- Compatible with most MFD displays that include trim tab indicators
- For dual station SLC-11 systems, use SR-Y “Y” connector (order separately) (see diagram on back page)
- Operates on 12 or 24 volt dc systems
- Does not include the NMEA 2000 cable drop connecting the SLC-NMEA adapter to the NMEA 2000 backbone

SPECIFICATIONS

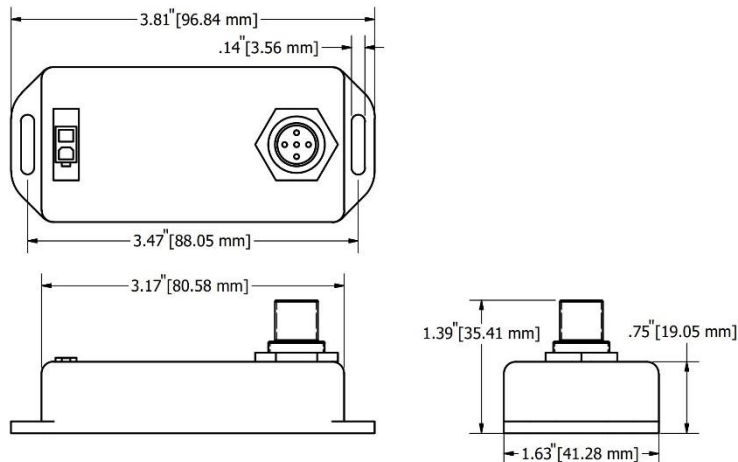
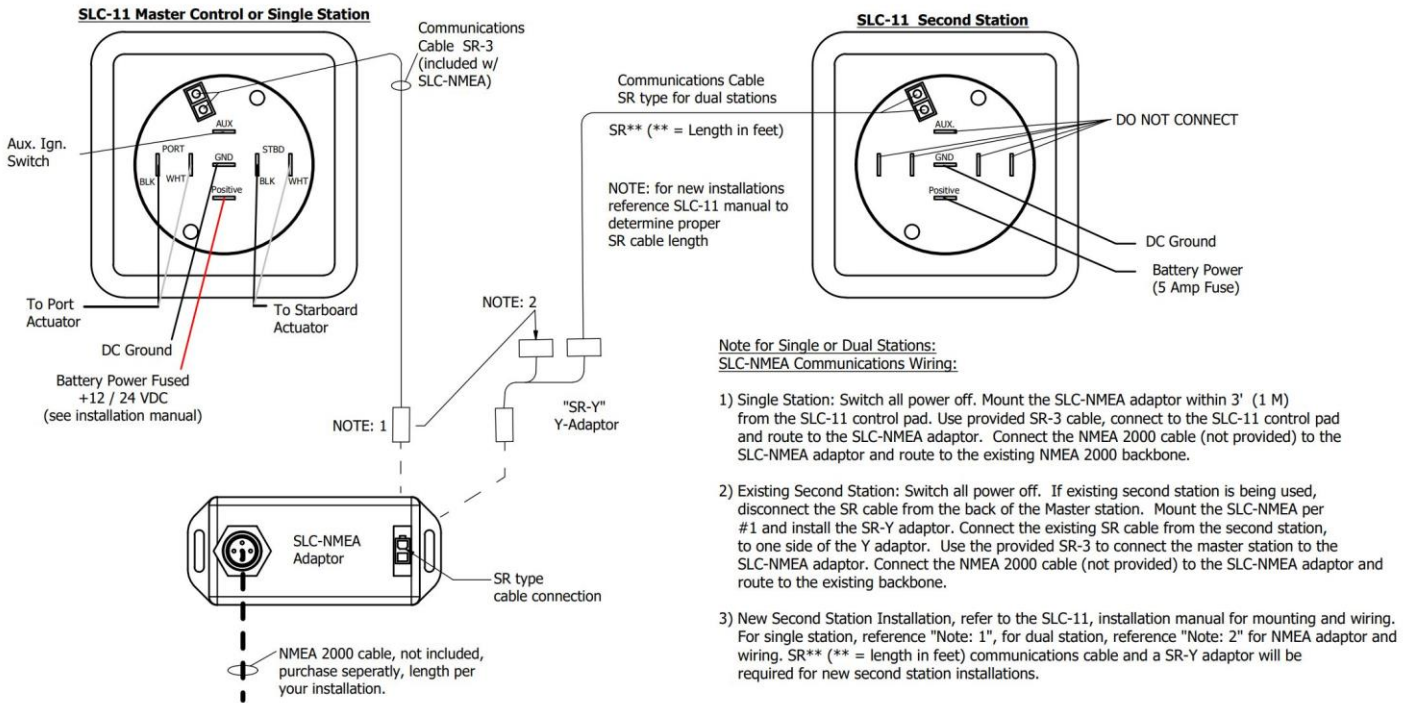
| Model Number | Adaptor Color | Number of Stations/Actuators | Overall Length | Overall Height/Width | Mounting Hole to Hole Dimensions | DC Voltage | Parts Included | Parts not included |
|--------------|---------------|--|-----------------|----------------------------|----------------------------------|------------|--------------------------------|---|
| SLC-NMEA | Black | 1 or 2 Stations/ 1 or 2 Actuators/tab | 3.75"/ 95 mm | 1.5"(38mm)/ 1.5"(38 mm) | 3.4375" (87mm) | 12/24 | SLC-NMEA Adapter SR-3 cable | NMEA 2000 drop cable to connect to NMEA backbone |

Linear Devices Corporation
11126 Air Park Road, Suite G, Ashland, VA 23005
www.lectrotab.com, Ph 804-368-8428, Fax 804-368-8438
October 2022



SLC-NMEA Connection to SLC-11 for Single or Dual Stations

"SLC-NMEA" Dual & Single Station Wiring



SLC-NMEA Dimensions