

Trim Tab Actuators SHORT STYLE



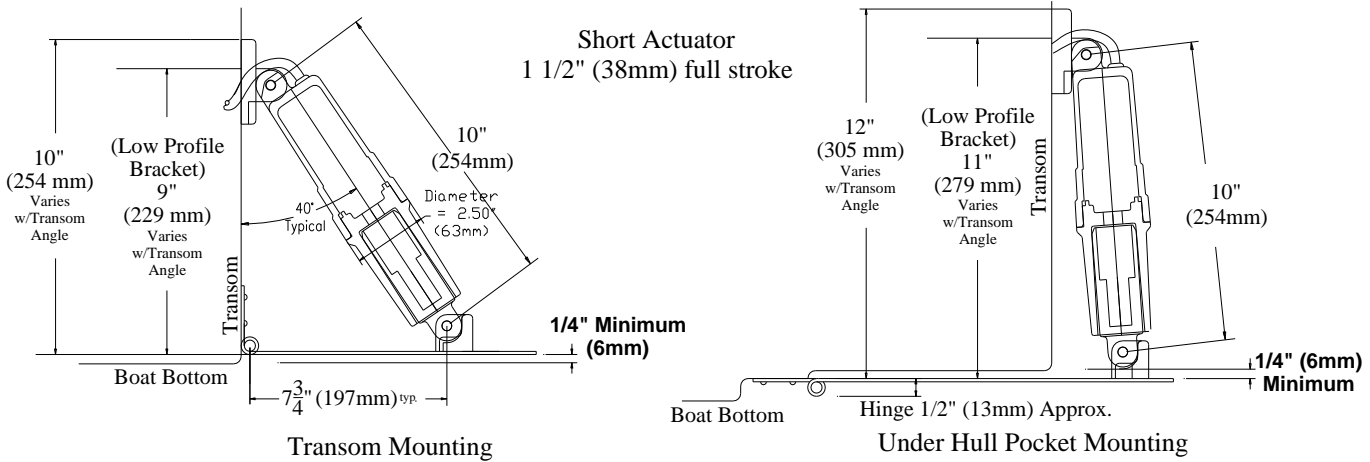
Short Actuator with
Low Profile Bracket

Ideal for limited vertical height applications such as swim platforms, Lectrotab short trim tab actuators are precision-engineered to combine quiet operation with a non-hydraulic, maintenance free design. The unit is corrosion free, ensures very accurate tab positioning, provides maximum lift force, and is totally self-contained for easy installation. The actuator assembly is packaged in a non-metallic permanently sealed housing. No components need to be installed inside the boat. Most importantly, unlike hydraulic trim tabs, there is no oil to leak out. The short actuator incorporates either a standard or low profile (see picture) transom mounting bracket. Short actuators come in 12 and 24 VDC with 6 second stroke time.

FEATURES

- Short actuator perfect for swim platform or limited vertical height applications
- Upper ram seal location cannot be damaged due to fouled ram or barnacle growth
- Utilizes internal pressure equalization system
- Upgrades to most popular hydraulic and electromechanical systems
- Internal brake system prevents unwanted tab movement when under way or backing down
- Quiet operation
- All actuators fully load tested to push 1000 lbs of force
- Non-metallic external structure which cannot corrode and will not deteriorate in the sun or under water

TRIM TAB SHORT ACTUATOR MOUNTING DIMENSIONS



SHORT ACTUATOR SPECIFICATIONS

Model	DC Voltage	Stroke Length	Stroke Time	Distance from Upper Mounting Bolt to Pin	Vertical Height (Typical Installation Fully Retracted)	Cable Length (Feet/Meter)	Upper Mounting Bracket	Lower Mounting Bracket	Use Actuator w/ Tabs
S	12VDC	1.5" / 38mm	6 sec.	10" / 254mm	10" / 254mm	6' / 1.8m	None	None	All Tabs
S-BK	12VDC	1.5" / 38mm	6 sec.	10" / 254mm	10" / 254mm	6' / 1.8m	Standard	Standard	All Tabs
S-BK-13	12VDC	1.5" / 38mm	6 sec.	10" / 254mm	10" / 254mm	23' / 7m	Standard	Standard	All Tabs
S-BK-24	12VDC	1.5" / 38mm	6 sec.	10" / 254mm	10" / 254mm	28' / 8.5m	Standard	Standard	All Tabs
S-BK-25	12VDC	1.5" / 38mm	6 sec.	10" / 254mm	9" / 229mm	6' / 1.8m	Low Profile	Standard	All Tabs
S-BK-16	12VDC	1.5" / 38mm	6 sec.	10" / 254mm	9" / 229mm	23' / 7m	Low Profile	Standard	All Tabs
SB	24VDC	1.5" / 38mm	6 sec.	10" / 254mm	10" / 254mm	6' / 1.8m	None	None	All Tabs
SB-BK	24VDC	1.5" / 38mm	6 sec.	10" / 254mm	10" / 254mm	6' / 1.8m	Standard	Standard	All Tabs
SB-BK-13	24VDC	1.5" / 38mm	6 sec.	10" / 254mm	10" / 254mm	23' / 7m	Standard	Standard	All Tabs
SB-BK-24	24VDC	1.5" / 38mm	6 sec.	10" / 254mm	10" / 254mm	28' / 8.5m	Standard	Standard	All Tabs
SB-BK-25	24VDC	1.5" / 38mm	6 sec.	10" / 254mm	9" / 229mm	6' / 1.8m	Low Profile	Standard	All Tabs
SB-BK-16	24VDC	1.5" / 38mm	6 sec.	10" / 254mm	9" / 229mm	23' / 7m	Low Profile	Standard	All Tabs