

“One Touch” Oval LED Control



SETR-81

Lectrotab is excited to introduce a new Oval control series with additional innovative features including one touch buttons to move all tabs up or down, compact and automatically returns tabs to previously adjusted position. This newly designed Oval incorporates features requested by boat owners to provide a user friendly control for a more enjoyable boating experience.

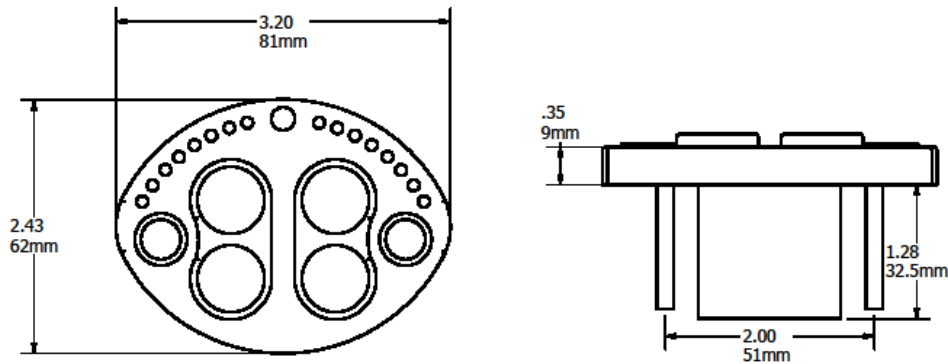
FEATURES

- Microprocessor based trim tab control with LED tab position indicators
- Single key press to move “All Tabs UP” or “All Tabs DOWN”
- Compact size
- Automatically returns to last tab position if ignition key is turned off and back on
- Completely sealed, completely waterproof and will not deteriorate in sunlight
- Tabs automatically retract and calibrate with key or accessory switch off
- Easy upgrade from rocker switch style control or previous series Oval control
- No external power module required
- Automatically dims LED tab position indicators in darkness and brightens in sunlight
- Adjustable programming features located on back of specification sheet
- Configured as single or dual station
- Operates up to 2 actuators per tab on 12vdc and 4 actuators per tab on 24vdc systems

SPECIFICATIONS

Model Number	Display Color	Number of Stations	Overall Width	Overall Height/ Thickness	Mounting Hole Cutout (Diameter)	DC Voltage	Fuse Size Power Input (1 Actuators per Tab)	Fuse Size Power Input (2 Actuators per Tab)	Fuse Size AUX Terminal (MUST CONNECT)
SETR-81	Black	Single or Dual Station	3.20"/81mm	2.43"(62mm) / .35"(9mm)	2.125"/54mm - 2.25"/57mm	12/24	12vdc = 20 amp 24vdc = 10amp	12vdc = 30 amp 24vdc = 20amp	1 to 2 amp

NEW OVAL (SETR) DIMENSIONS



SETR-81 Oval Dimensions

OVAL (SETR) PROGRAMMING

Function	Program Mode Sequence			Range	Default	Program Details
	Enter	Adjust	Exit			
Timing	PORT BOW DOWN	STBD BOW DOWN/UP	PORT BOW UP	4 - 12sec	8sec	8 LED's = 8 second actuator 4 LED's = 4 second actuator
Remember Last Tab Setting	PORT BOW UP	STBD BOW DOWN/UP	PORT BOW UP	Standard/Remember	Standard	8 LED's = Standard Retract 1 LED = Remember last setting
Swap LED's	STBD BOW DOWN	STBD BOW DOWN/UP	PORT BOW UP	LED's Opposite of button/same side button	LED's Opposite of button press	1 LED on right and left = LED lights opposite of button press 8 LED's on right and left = LED lights same side as button press

Enter, Adjust and Exit Program Mode:

- Before entering program mode, 12vdc or 24vdc must be applied to Oval main power
- Power to AUX terminal must be OFF (Aux is typically connected to ignition key switch or aux switch)
- Press and hold button noted in Oval Programming chart under column "Enter" for more than 2 seconds while switching the Aux terminal switch to ON at the same time
- Release the "Enter" button and press "STBD BOW UP or DOWN" button to change the value
- Press and hold "PORT BOW UP" for more than 2 seconds to exit program mode