



SENL-01

Lectrotab is excited to introduce our Value Oval Control in 2014. This new Oval control offers a more compact size, and omits LEDs for customers seeking a low-cost, waterproof control. New Value Oval size is reduced by 1" (25.4mm) in width, 7/8" (22.2mm) height and 1/8" (3mm) thickness compared to the current Oval design.

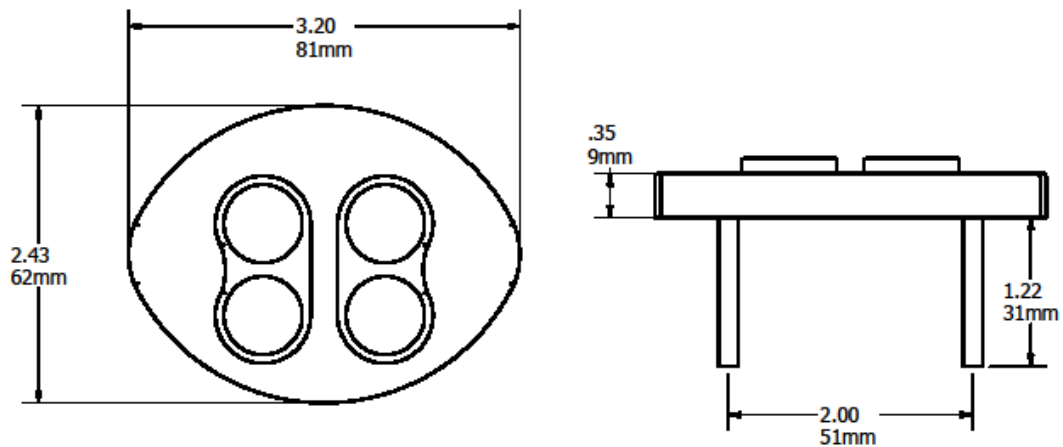
## FEATURES

- Completely sealed, completely waterproof and will not deteriorate in sunlight
- Tabs automatically retract and calibrate with key or accessory switch off
- Easy upgrade from rocker switch style control with BP-10 mounting plate
- No external power module required
- Operates up to 2 actuators per tab on 12vdc and 4 actuators per tab on 24vdc systems

## SPECIFICATIONS

Model Number	Display Color	Number of Stations	Overall Width	Overall Height/ Thickness	Mounting Hole Cutout (Diameter)	DC Voltage	Fuse Size Power Input (1 Actuators per Tab)	Fuse Size Power Input (2 Actuators per Tab)
SENL-01	Black	Single Only	3.20"/ 81mm	2.43"(62mm)/ .35"(9mm)	2.125"/54mm - 2.25"/57mm	12/24	12vdc = 20 amp 24vdc = 10amp	12vdc = 30 amp 24vdc = 20amp

# NEW OVAL (SENL) DIMENSIONS



SENL-01 Value Oval Dimensions