

Racing Trim Tabs HEAVY DUTY

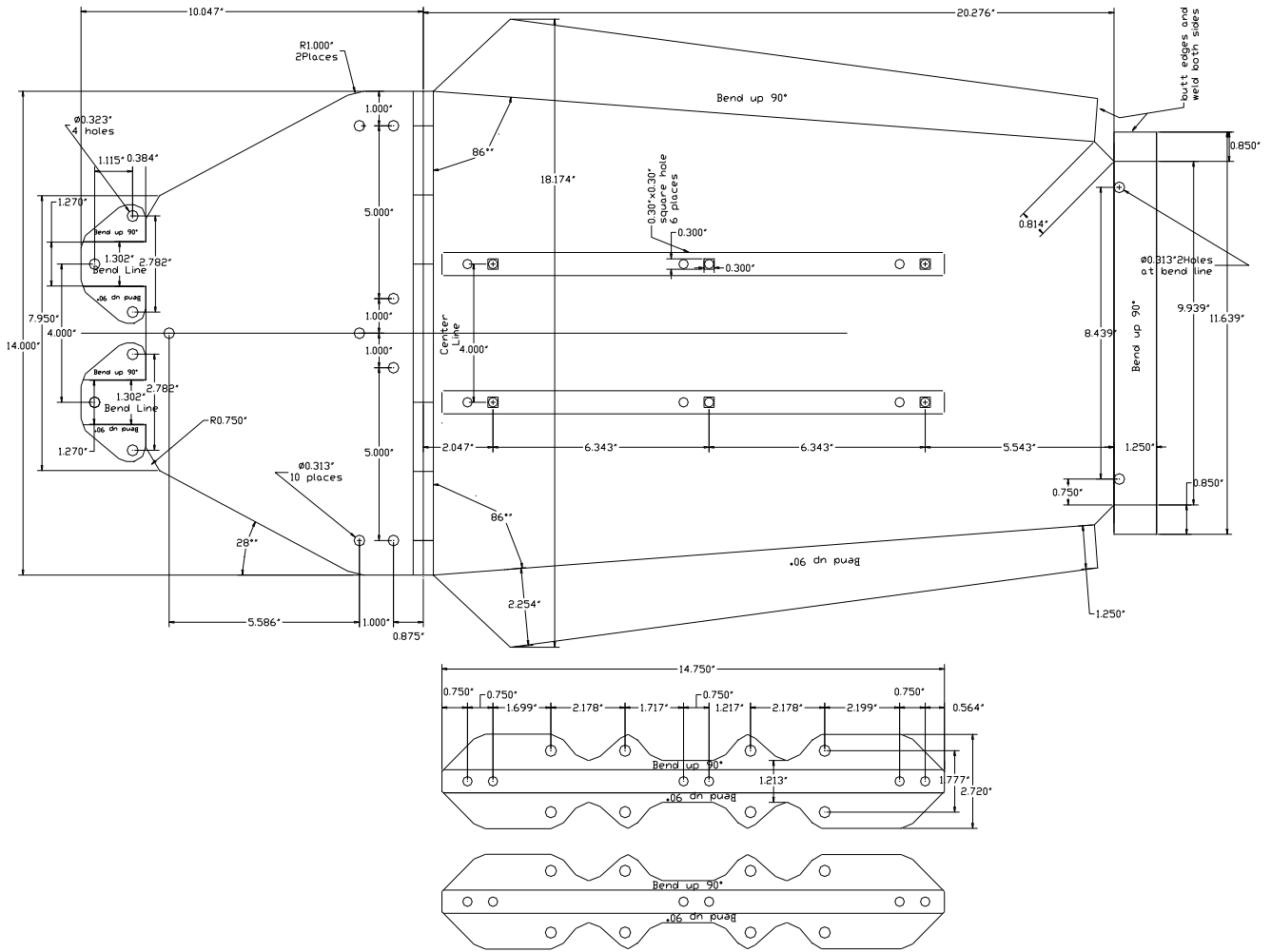


Lectrotab meets the demand of boats operating at high speeds or in rough conditions by offering its heavy duty racing trim tabs. These racing trim tabs incorporate a 90° bend on all edges to provide unmatched strength and reliability. All stainless steel tabs are fabricated with a continuous rolled and pinned hinge. This design eliminates the need for welding. The tabs are made of corrosion resistant 11 gauge, 304 stainless steel with a gloss black powder coated finish. Tabs are available in 20" (51cm) chord length by 14" (36cm) tab width. See specification chart for dimensional details.

FEATURES

- All edges bent 90° for maximum strength
- All in one tab channel design to easily mount actuators to transom plate and tab channel
- Strong, corrosion resistant 11 gauge, 304 stainless steel with black powder coated finish
- Drain holes located on tab trailing corners
- Continuous rolled and pinned hinge provides added strength and eliminates the need for welding
- Tab chord length is 20" (51cm) by 14" (36cm) width across transom
- Dual actuator mounting
- Utilizes heavy duty actuators (see specification sheet on back page or Heavy Duty Actuator Spec Sheet)

RACING TRIM TAB DIMENSIONS



RACING TRIM TAB MODEL IDENTIFICATION

TM 20 X 14 - 8315

TM = Stainless Steel 11 gauge 1st Number (A) = Tab Chord Length (inches) 2nd Number (B) = Tab Width Across Transom (inches) 8315 = 90° Bend All Edges, Gloss Black Powder Coated Finish

SPECIFICATIONS

Tab Model Number	Stainless Steel Gauge	Tab Size		Typical Boat Length		Actuator Specifications for Racing Tab			
		Inches	cm	Feet	Meters	Model Number	Quantity per Tab	Cable Length	Voltage
TM20X14-8315	11 Gauge w/Black Powder Coated Finish	20X14	51x36	30' - 60'	9m - 18m	A-BK-41	2	6'/1.8m	12vdc
						A-BK-42	2	23'/7m	12vdc
						B-BK-41	2	6'/1.8m	24vdc
						B-BK-42	2	23'/7m	24vdc