



Trim Tab Actuators STANDARD

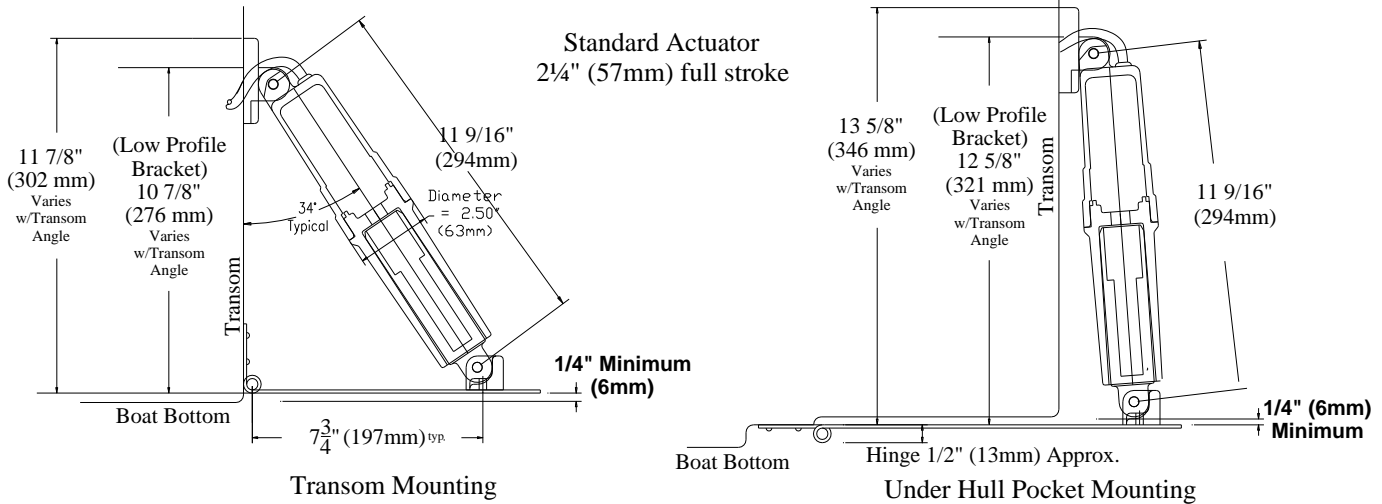


Lectrotab trim tab actuators are precision-engineered to combine quiet operation with a non-hydraulic, maintenance free design. The unit is corrosion free, ensures very accurate tab positioning, provides maximum lift force, and is totally self-contained for easy installation. The actuator assembly is packaged in a non-metallic permanently sealed housing. No components need to be installed inside the boat. Most importantly, unlike hydraulic trim tabs, there is no oil to leak out. The actuator incorporates either a standard or low profile transom mounting bracket. Actuators come in 12 and 24 VDC with 8 second recommended stroke time or 4 second stroke time.

FEATURES

- Actuator covered by a **Lifetime Warranty**
- Upper ram seal patented location cannot be damaged due to fouled ram or barnacle growth
- Utilizes patented internal pressure equalization system
- Upgrades to most popular hydraulic and electromechanical systems
- Internal brake system prevents unwanted tab movement when under way or backing down
- Quiet operation
- All actuators fully load tested to push 1000 lbs of force
- Non-metallic external structure which cannot corrode and will not deteriorate in the sun or under water

TRIM TAB ACTUATOR MOUNTING DIMENSIONS



SPECIFICATIONS

Model	DC Voltage	Stroke Length	Stroke Speed	Distance from Bolt to Pin	Vertical Height (Typical Installation Fully Retracted)	Cable Length (Feet/Meter)	Upper Mounting Bracket	Lower Mounting Bracket	Use Actuator w/ Tabs
A	12VDC	2.25"/57mm	8 sec.	11.5"/292mm	11.875"/302mm	6'/1.8m	None	None	All Tabs
A-BK	12VDC	2.25"/57mm	8 sec.	11.5"/292mm	11.875"/302mm	6'/1.8m	Standard	Standard	All Tabs
A-BK-13	12VDC	2.25"/57mm	8 sec.	11.5"/292mm	11.875"/302mm	23'/7m	Standard	Standard	All Tabs
A-BK-24	12VDC	2.25"/57mm	8 sec.	11.5"/292mm	11.875"/302mm	28'/8.5m	Standard	Standard	All Tabs
A-BK-25	12VDC	2.25"/57mm	8 sec.	11.5"/292mm	10.875"/276mm	6'/1.8m	Low Profile	Standard	All Tabs
A-BK-16	12VDC	2.25"/57mm	8 sec.	11.5"/292mm	10.875"/276mm	23'/7m	Low Profile	Standard	All Tabs
B	24VDC	2.25"/57mm	8 sec.	11.5"/292mm	11.875"/302mm	6'/1.8m	None	None	All Tabs
B-BK	24VDC	2.25"/57mm	8 sec.	11.5"/292mm	11.875"/302mm	6'/1.8m	Standard	Standard	All Tabs
B-BK-13	24VDC	2.25"/57mm	8 sec.	11.5"/292mm	11.875"/302mm	23'/7m	Standard	Standard	All Tabs
B-BK-24	24VDC	2.25"/57mm	8 sec.	11.5"/292mm	11.875"/302mm	28'/8.5m	Standard	Standard	All Tabs
B-BK-25	24VDC	2.25"/57mm	8 sec.	11.5"/292mm	10.875"/276mm	6'/1.8m	Low Profile	Standard	All Tabs
B-BK-16	24VDC	2.25"/57mm	8 sec.	11.5"/292mm	10.875"/276mm	23'/7m	Low Profile	Standard	All Tabs

Actuators are also available with a 4 second stroke time. 4 second stroke time model numbers begin with the letter "C" for 12vdc and "D" for 24vdc.

Please note that Lectrotab recommends using the 8 second stroke time for a smoother, more controlled boat response to tab adjustments.

Linear Devices Corporation
8790 Park Central Drive, Richmond, VA 23772
www.lectrotab.com, Ph 804-261-3888, Fax 804-264-3070
January 2011

LECTROTAB