

Trim Tab Actuators Extended Length

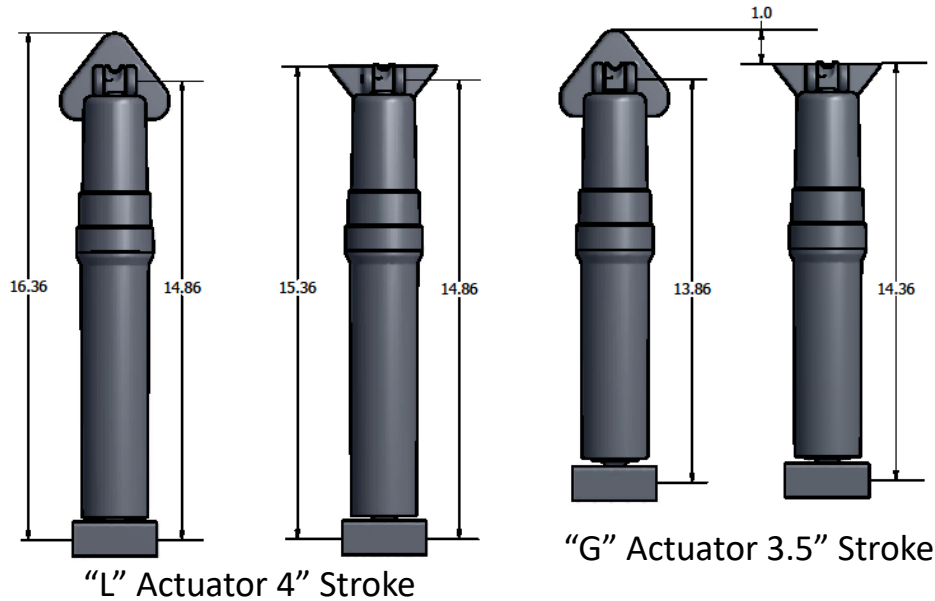


Lectrotab is excited to introduce a new line of longer stroke length actuators. Lectrotab trim tab actuators are precision-engineered to combine quiet operation with a non-hydraulic, maintenance free design. The unit is corrosion free, ensures very accurate tab positioning, provides maximum lift force, and is totally self-contained for easy installation. The actuator assembly is packaged in a non-metallic permanently sealed housing. No components need to be installed inside the boat. Most importantly, unlike hydraulic trim tabs, there is no oil to leak out. The actuator incorporates either a standard or low profile transom mounting bracket. Actuators available in 12 and 24 VDC.

FEATURES

- Available in 4" (102mm) and 3.5" (89mm) stroke lengths
- Actuator covered by a **Lifetime Warranty**
- Upper ram seal patented location cannot be damaged due to fouled ram or barnacle growth
- Utilizes patented internal pressure equalization system
- Upgrades to most popular hydraulic and electromechanical systems
- Internal brake system prevents unwanted tab movement when under way or backing down
- Quiet operation
- All actuators fully load tested to push 1000 lbs of force
- Non-metallic external structure which cannot corrode and will not deteriorate in the sun or under water

TRIM TAB ACTUATOR DIMENSTIONS EXTENDED LENGTH



SPECIFICATIONS 4" STROKE

Model	DC Voltage	Stroke Length	Stroke Speed	Distance from Bolt to Pin	Cable Length (Feet/Meter)	Upper Mounting Bracket	Lower Mounting Bracket	Use Actuator w/ Tabs
L	12VDC	4"/ 102mm	7 sec.	14.86"/377mm	6'/1.8m	None	None	All Tabs
L-BK	12VDC	4"/102mm	7 sec.	14.86"/377mm	6'/1.8m	Standard	Standard	All Tabs
L-BK-13	12VDC	4"/ 102mm	7 sec.	14.86"/377mm	23'/7m	Standard	Standard	All Tabs
L-BK-24	12VDC	4"/ 102mm	7 sec.	14.86"/377mm	28'/8.5m	Standard	Standard	All Tabs
L-BK-25	12VDC	4"/ 102mm	7 sec.	14.86"/377mm	6'/1.8m	Low Profile	Standard	All Tabs
L-BK-16	12VDC	4"/ 102mm	7 sec.	14.86"/377mm	23'/7m	Low Profile	Standard	All Tabs

SPECIFICATIONS 3.5" STROKE

G	12VDC	3.5"/ 89mm	6 sec.	13.86"/352mm	6'/1.8m	None	None	All Tabs
G-BK	12VDC	3.5"/ 89mm	6 sec.	13.86"/352mm	6'/1.8m	Standard	Standard	All Tabs
G-BK-13	12VDC	3.5"/ 89mm	6 sec.	13.86"/352mm	23'/7m	Standard	Standard	All Tabs
G-BK-24	12VDC	3.5"/ 89mm	6 sec.	13.86"/352mm	28'/8.5m	Standard	Standard	All Tabs
G-BK-25	12VDC	3.5"/89mm	6 sec.	13.86"/352mm	6'/1.8m	Low Profile	Standard	All Tabs
G-BK-16	12VDC	3.5"/ 89mm	6 sec.	13.86"/352mm	23'/7m	Low Profile	Standard	All Tabs